

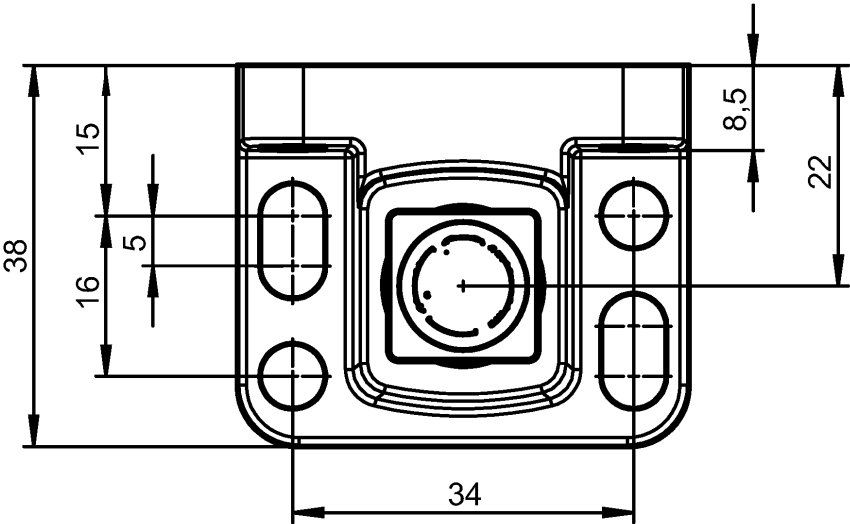
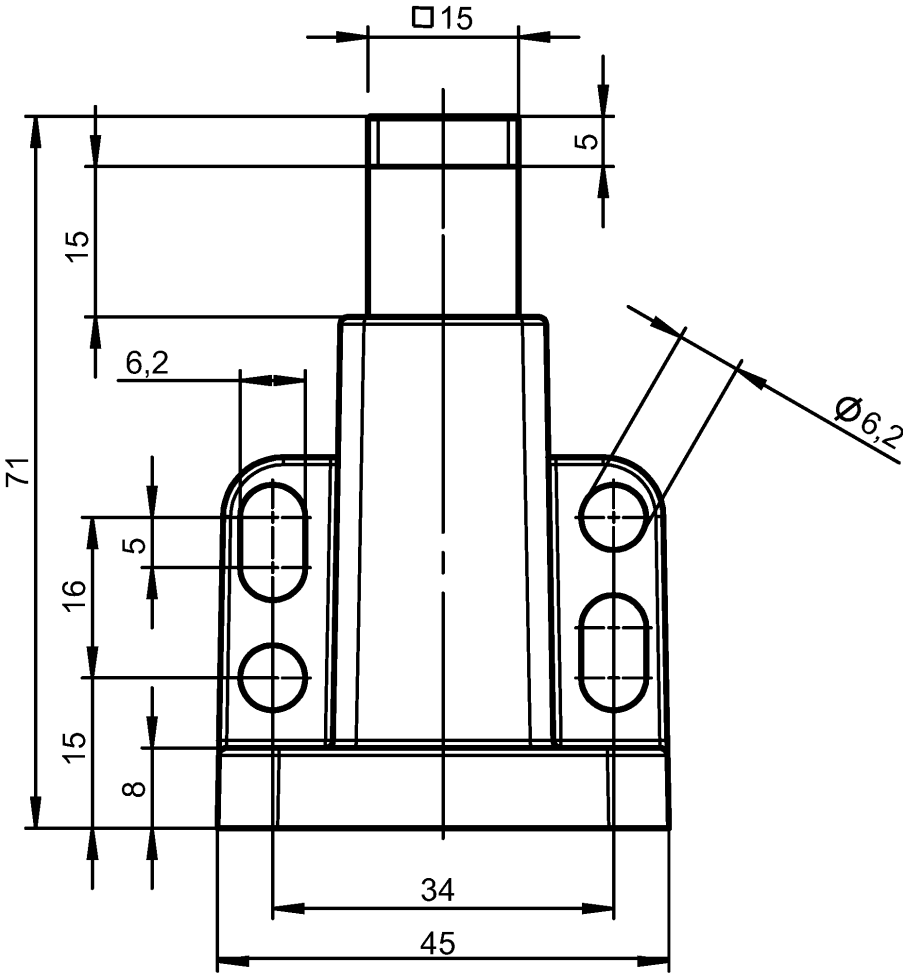
## CET-A-BWK-50X (Order no. 096327)

### Actuator CET-A-BWK-50X

- ▶ Actuator for read head/safety switch CET
- ▶ Transponder coding
- ▶ Four safety screws M5x16 included

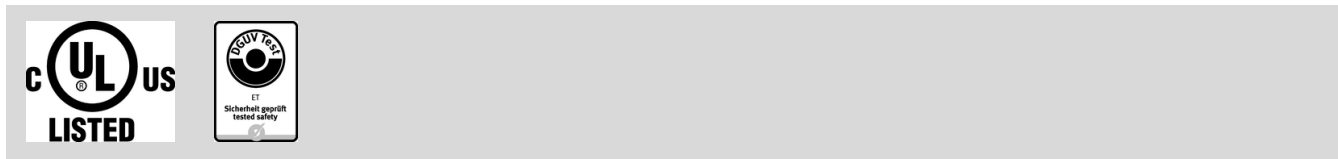


Dimensional drawings



## Technical data

### Approvals



### Electrical connection values

Power supply	Inductive via read head
--------------	-------------------------

### Mechanical values and environment

Approach direction	Any
Mechanical life	2 x 10 <sup>6</sup>
Degree of protection	IP67 (Degree of protection of the transponder)
Ambient temperature	-20 ... +55 °C
Material	stainless steel
Locking force F <sub>max</sub>	6500 N
Locking force F <sub>Zh</sub>	5000 N

## Downloads

All documentation for this material can be found on our website:

<https://www.euchner.de/en-us/a/096327/?#downloads-tab>

**Ordering data**

Ordernumber	096327
Item designation	CET-A-BWK-50X
Gross weight	0,333kg
European Article Number (EAN)	4047048005587
Customs tariff number	85389099990
ECLASS	27-27-24-04 Actuator for safety-related proximity switch

## Accessories

### Function expansion

#### Cover for actuator CET



**124979**  
AM-C-124979

- ▶ Horizontal and vertical mounting option on the actuator
- ▶ Mounting using 4 screws M5x16 (included with the actuator)



**124721**  
AM-C-124721

- ▶ Horizontal mounting option on the actuator
- ▶ Mounting using 4 screws M5x16 (included with the actuator)

#### Holder for lockout bar for CET actuator



**156338**  
AY-CHN-A1-156338

- ▶ Holder (incl. wire rope) for lockout bar CET

#### Lockout bar and holder for CET actuator



**155865**  
AE-SET-LCHN-A1-155865

- ▶ Prevents unintentional closing of the door
- ▶ Can be secured with padlocks

#### Lockout bar for CET actuator



**122609**  
AE-L-CET-122609

- ▶ Prevents unintentional closing of the door
- ▶ Can be secured with padlocks
- ▶ Not suitable in combination with cover AM-C for actuator CET



**156429**  
AE-L-CET-156429

- ▶ Prevents unintentional closing of the door
- ▶ Can be secured with padlocks

### Mounting accessories

#### Mounting plate EMP-B-... for actuator CET



**106694**  
EMP-B-CET

- ▶ Mounting plate for actuator CET for hinged or sliding doors
- ▶ Suitable for aluminum profiles 40 ... 45 mm
- ▶ Horizontal and vertical mounting
- ▶ Made of aluminum

#### Safety screws M5 x 16

**073456**  
M5X16/V100

- ▶ Safety screws M5 x 16
- ▶ Packaging unit 100 pieces